



Co-funded by the  
Erasmus+ Programme  
of the European Union

Š O L S K I  C E N T E R

Š K O F J A L O K A

S R E D N J A Š O L A Z A S T R O J N I Š T V O



# PROJECT VACIDE ROBOT „THOR“ 3D Technology

TPM-2, 26. - 27. May 2021

Matej Praprotnik, prof.  
Secondary school of mechanical engineering

# Secondary school 3D technology team

Second year students:

▶ 2. As Class:

- ▶ Janja
- ▶ Martin

▶ 2. Bs Class:

- ▶ Alen
- ▶ Gašper
- ▶ Leo
- ▶ Jernej

▶ 2. Cs Class

- ▶ Šefkija
- ▶ Val



# Covid challenges

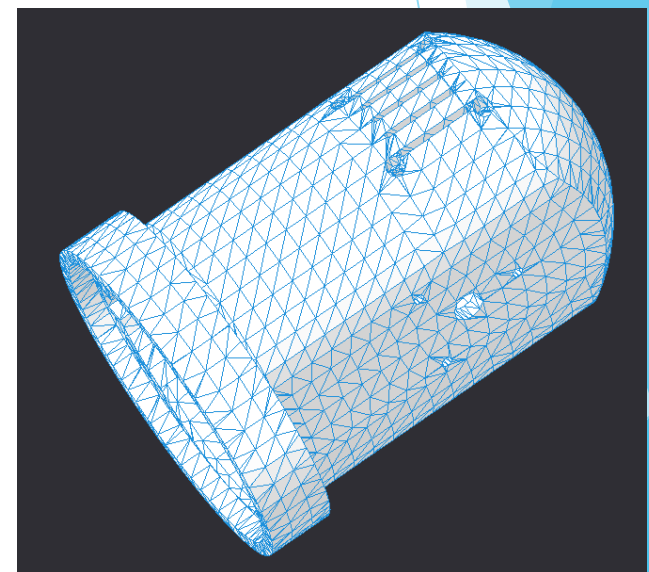
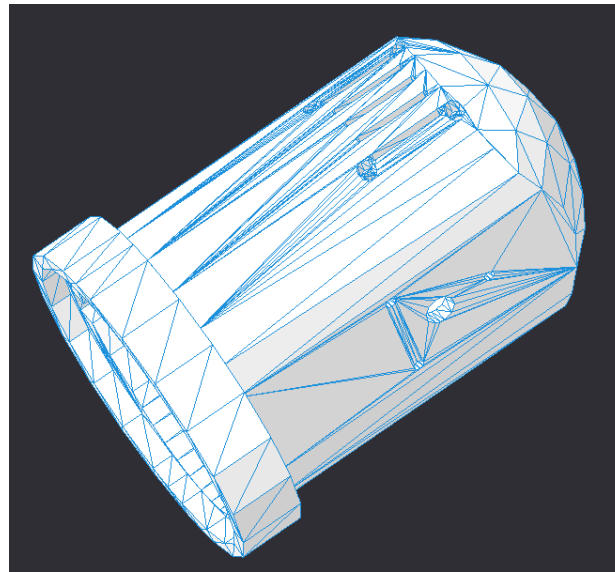
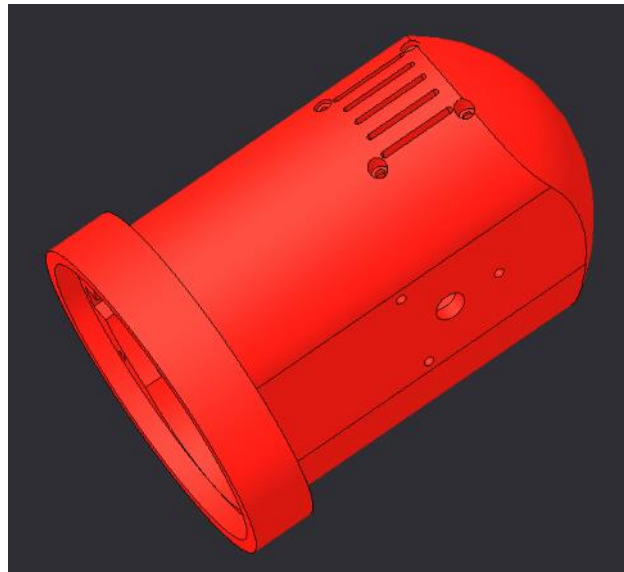


- ▶ Being out of school from the end of Octobre 2020 till the middle of March 2021.
- ▶ Comming back and taking live classes every second week.
- ▶ Getting grades.
- ▶ Finding time for THOR.
- ▶ Cooperation with vocational college students.



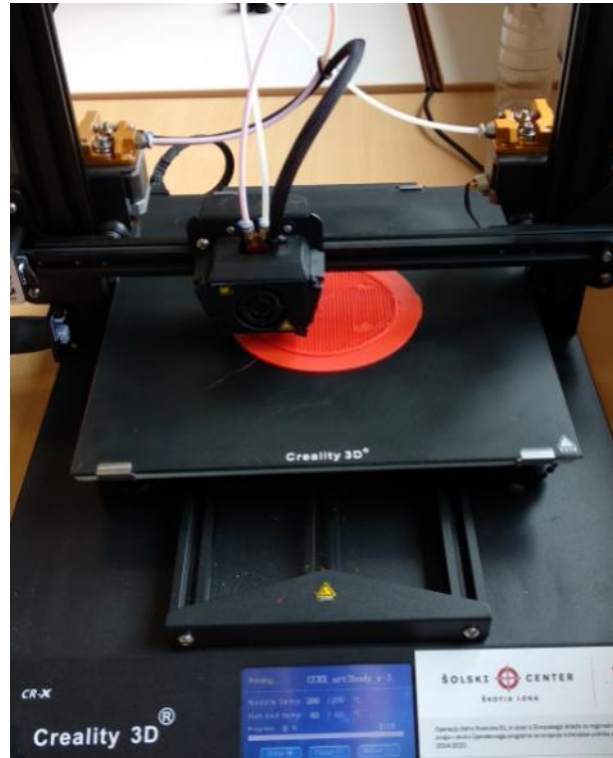
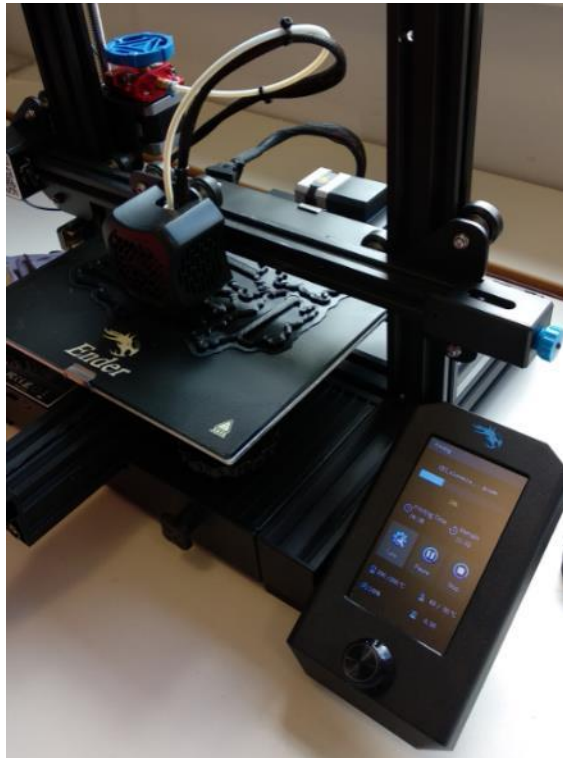
# Thor challenges

- ▶ How to make the STL file?



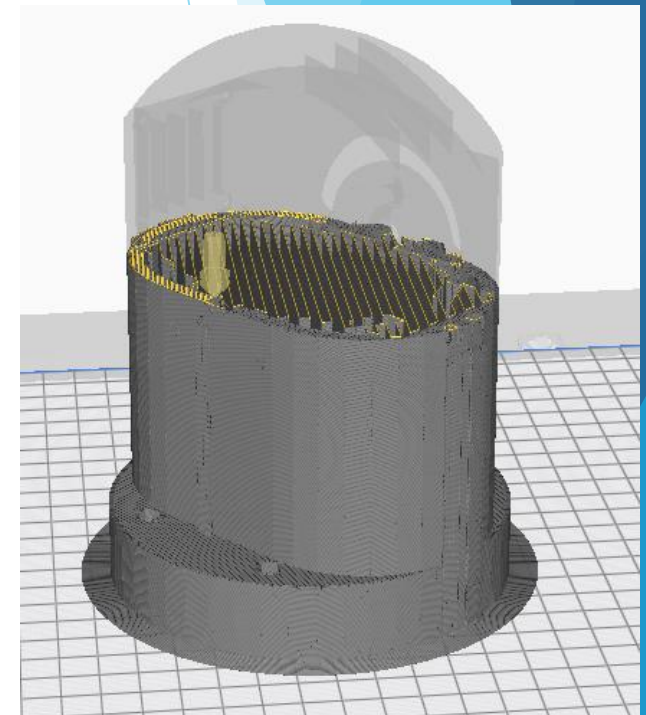
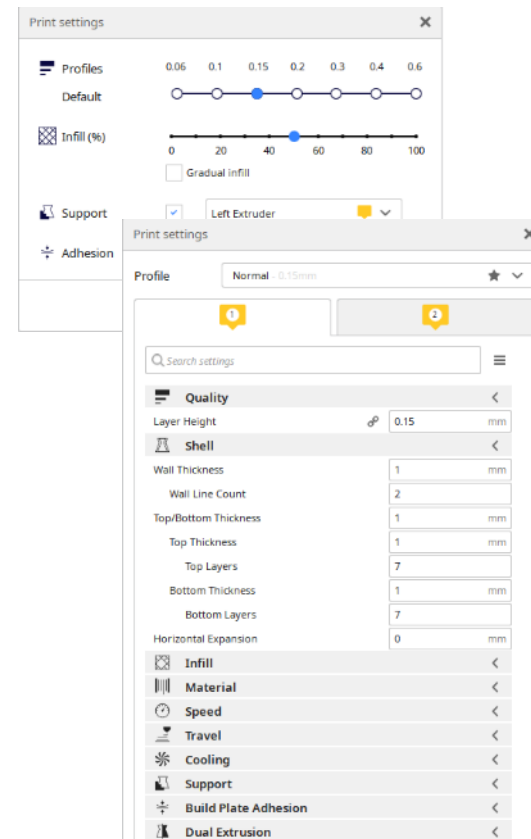
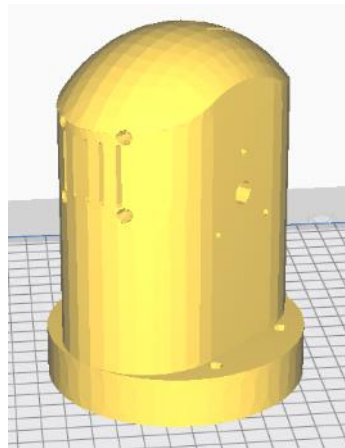
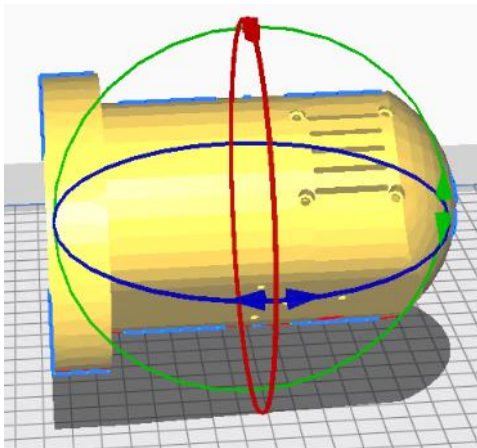
# Thor challenges

- ▶ How to become familiar with 3D printers?



# Thor challenges

- ▶ How to make the g-code?



# Thor challenges

- ▶ How to bring the g-code to life?

